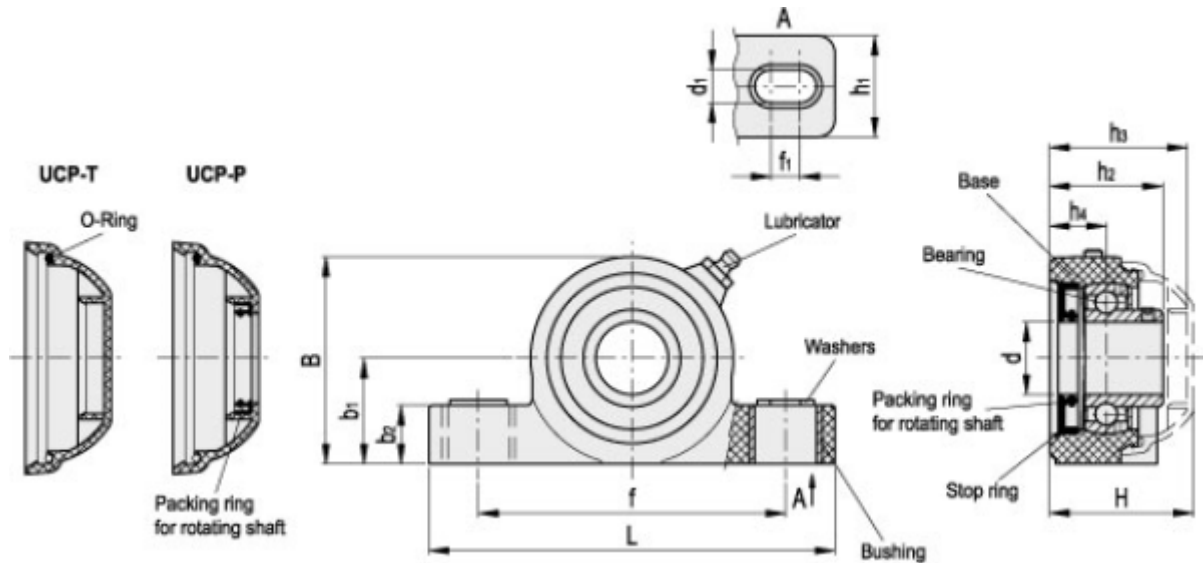


Article number: 2310419543

Description: E+G flanged self-aligning brackets UCP.206-C-30-P

Measures



B	= 84.5	f	= 121
b1	= 43	f1	= 10
b2	= 20	H	= 55.7
Bearing dynamic load in N	= 19000	h1	= 36
Bearing static load in N	= 11000	h2	= 41.7
Bracket load in N	= 9000	h3	= -
d	= 30	h4	= 20.7
d1	= 13	L	= 163